

L-SERIES MOTORS

LS700 Battery Motor
(with Magic Wand Controller)

INSTALLATION INSTRUCTIONS



L-SERIES MOTORS (LS700)

INSTALLATION INSTRUCTIONS

Thank you for purchasing your new LS700 Motor. They have been custom-made from the highest quality materials to the dimensions you specified. With the proper installation and care, it will provide you with many years of beauty and trouble-free use.

Please read all instructions before you start so you will be familiar with the overall process.

Make sure you measure your window to ensure the motors and shades will fit properly before beginning.

Getting Started

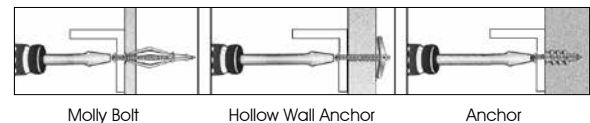
Remove the motor and shade from the packaging. Keep the packaging until you have successfully installed the motor and the shade.

TOOLS REQUIRED

- Pencil
- Awl
- Tape Measure
- Level
- Ladder or Stepstool
- Power Drill with the following bits:
 - 1/16" Drill Bit
 - 1/4" Hex Driver
 - Standard Screwdriver
 - Masonry Drill Bit (if drilling into concrete or brick)

FASTENER NOTES

For outside mount, it is best to attach the bracket to wood studs. If this is not possible, you will need to purchase special fasteners (see illustration below for examples).



Here are some HELPFUL TIPS:

- If you are using a special fastener, make sure it is designed to support the weight of the motor and shade. Follow the fastener manufacturer's instructions carefully.
- When drilling into drywall or plaster, use a fastener designed for hollow wall applications (see illustration).
- When drilling into concrete, stone, brick, or tile, use appropriate plugs, anchors, or screws (not included).
- When drilling into metal, the included screws are sufficient. Pre-drill 1/16" holes.

LS700 MOTOR

(with Magic Wand Controller)

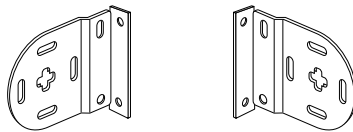
Mounting the Shade

STEP 1 - INSTALLING THE BRACKETS AND BATTERY CLIPS.

The brackets are universal and can be used on either side as well as for wall, ceiling, outside mount or inside mount installations.

The bracket to bracket dimension is the shade cloth width plus 1 $\frac{3}{8}$ ".

Use a level to ensure a horizontal position.



End Brackets

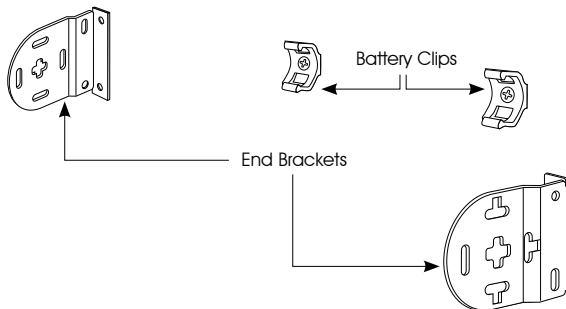


Battery Clips

a) Mount both end brackets on the wall.

b) Install the battery clips.

Locate your battery wand position first. The ideal location will be at the top corner, close to the motor end of the shade.



STEP 2 - INSTALLING THE SHADE.

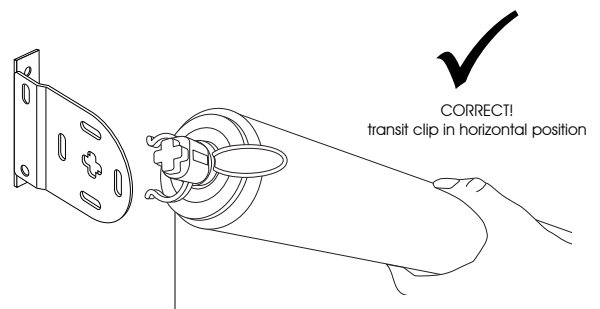
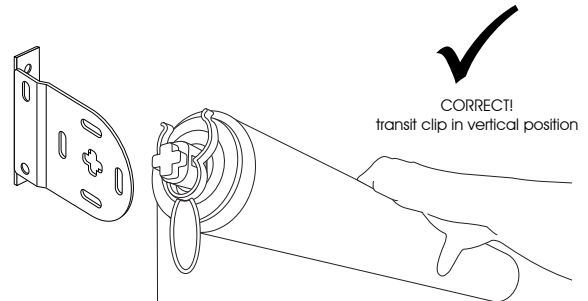
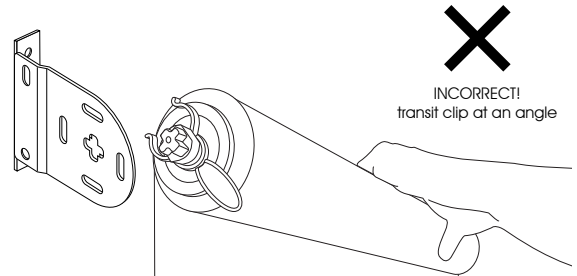
a) Begin by installing the idler end first.

b) There is a transit clip on the idler end of the shade.

Push the idler plunger into the idler end bracket.

The transit clip should be positioned either straight up and down, or horizontal, in order to line up the idler plunger of the idler end with the cross shaped hole in the bracket.

See illustrations below.



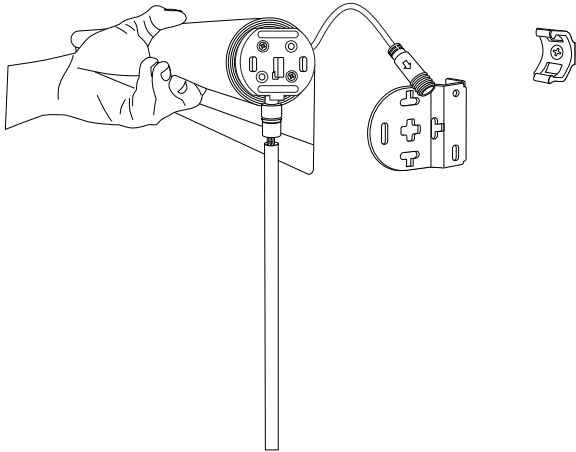
c) Once the idler end is seated, **REMOVE the TRANSIT CLIP.**

Save this clip as it will be reinstalled in Step 3(c).

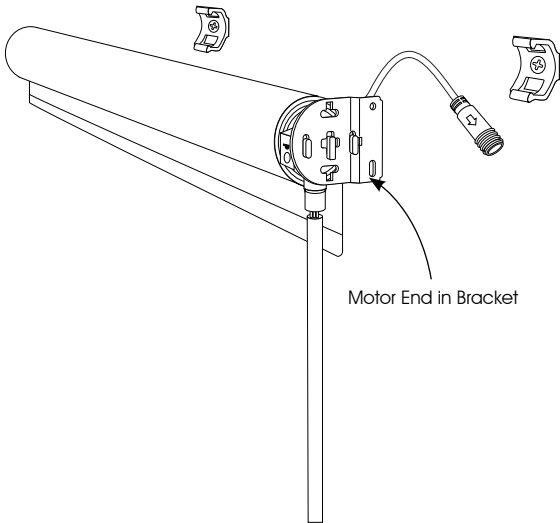
STEP 3 - INSTALLING THE MOTOR END.

a) Slip the motor end into the bracket.

While keeping the idler end in position, lift the shade up into the bracket and align the motor end pin into the middle of the cross-shaped hole.



b) Gently slide in place and pull down to lock in place.

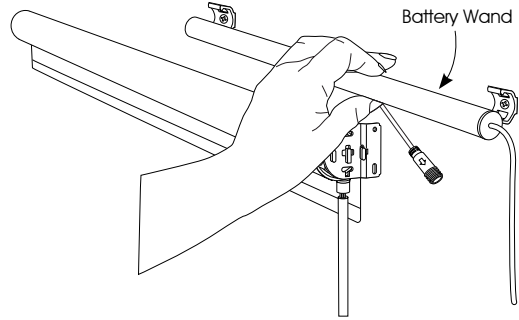


c) After installing the motor end, slip the transit clip back onto the idler end.

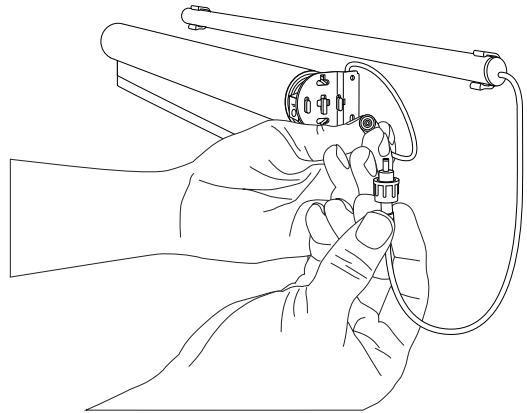
The transit clip locks the spring-loaded idler end of a roller shade, so that it cannot retract. It also prevents the roller shade from slipping out of its brackets during shipment.

STEP 4 - INSTALL BATTERY WAND.

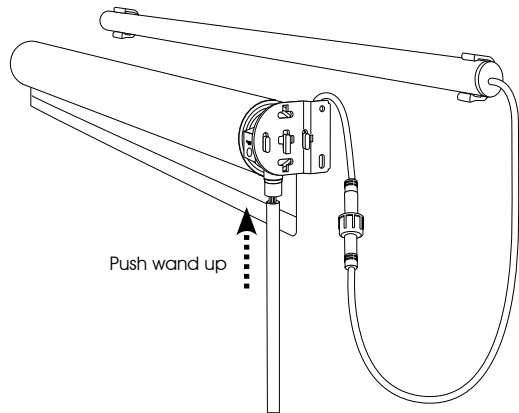
a) Slip the battery wand into the battery clips as shown in diagram below.



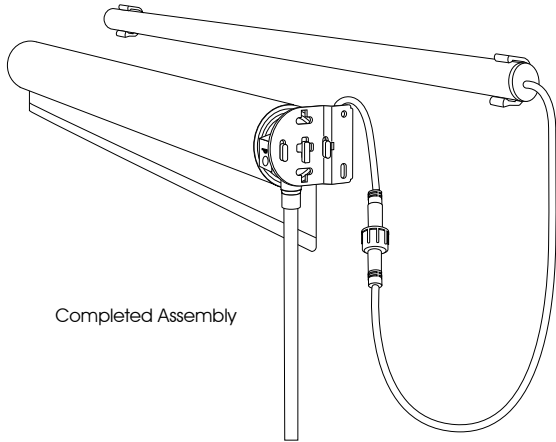
b) Screw both connector ends together as shown.



c) Attach the magic wand controller. Push the wand up into the motor head.



STEP 5 - OPERATING THE WAND CONTROL.



The Magic Wand Controller
Make sure the wand control is hanging vertically from the motor housing.

▲ Shade will go up
▼ Shade will go down

STEP 6 - PROGRAM THE LS700 MOTOR.

SEE SEPARATE SHEET ATTACHED with instructions on how to program your **LS700 Motor Wand**.

STEP 7 - ADD THE END CAPS FOR A FINISHED LOOK.

Note: The end caps cannot be used on an inside mount installation.

Caring for your LS700 Battery Motors & Roller shades

Your battery motors and roller shades will provide you with years of beauty and pleasure with minimal care and cleaning.

- Vacuum using a brush or dust head attachment.
- Dust lightly using a soft, clean cloth.
- Never immerse the motors or shades in water or liquids of any type.

.....

Note:

Call us at 800.828.2500 if you have any questions.