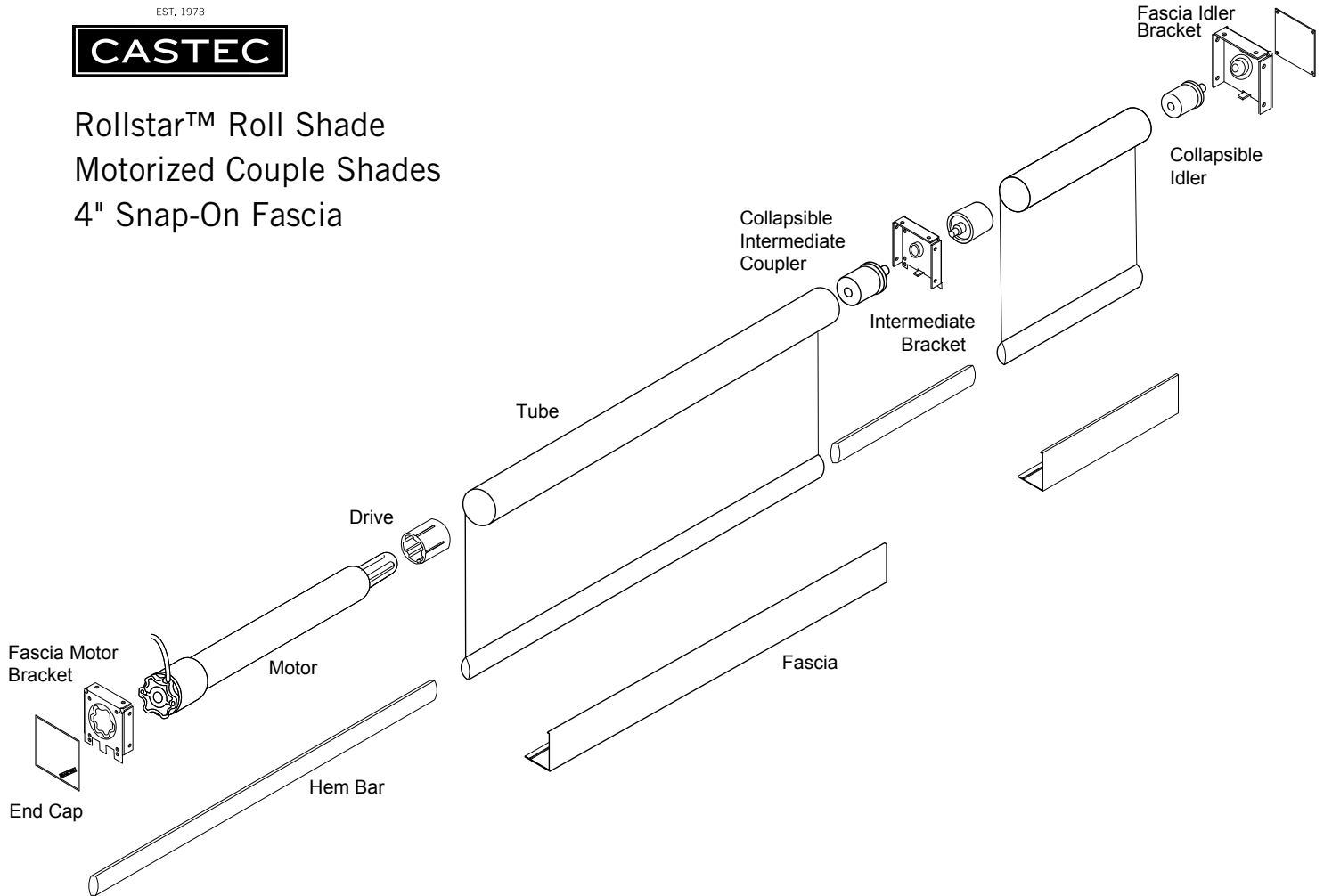


Rollstar™ Roll Shade

Motorized Couple Shades

4" Snap-On Fascia



Tube Size	2" Dia	2.75" Dia	3.25" Dia
Max Width	150"	240"	300"
Operator	Chain or Motor Operation		
Offset from Wall	Chain – .125" Motor – .625"		
Bracket Height	3.375"	Available by Request	
Bracket Width	2.875"	Available by Request	
Fascia Offset from Wall	.125" <input type="checkbox"/> <input type="checkbox"/>	<input type="checkbox"/>	N/A
Fascia Bracket Height	4" <input type="checkbox"/> <input type="checkbox"/>	<input type="checkbox"/>	N/A
Fascia Bracket Width	4" <input type="checkbox"/> <input type="checkbox"/>	<input type="checkbox"/>	N/A
Motor Light Gap	.875"	Available by Request	
Idler Light Gap	.875"	Available by Request	
Coupler Light Gap	.875"	Available by Request	
4" Fascia	4"	No	
4" Top Back Cover	4"	No	
5050 Headbox	4.75" x 5"		
Max 5050 Pocket Height	5"		