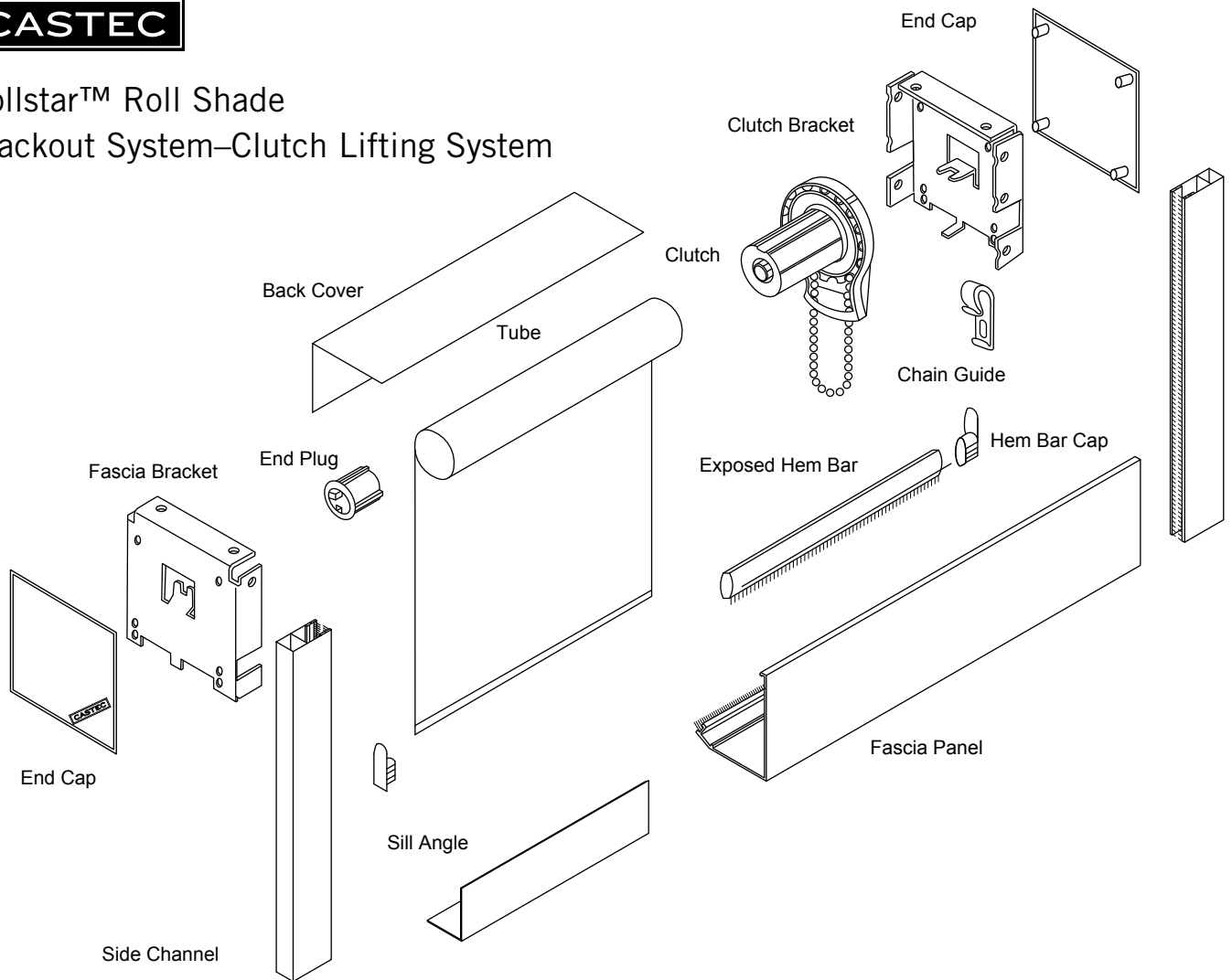


## Rollstar™ Roll Shade Blackout System–Clutch Lifting System



Tube Size	1"	1.5"	1.325"	2"	2.75"	3.25"
Tube Composition	Steel	Steel	Aluminum	Aluminum	Aluminum	Aluminum
Max Width	84"	120"	96"	120"	120"	N/A
Fascia Offset from Wall	.125	.125	.125	.125	N/A	N/A
Fascia Bracket Height	3" or 4"	3" or 4"	3" or 4"	4"	N/A	N/A
Fascia Bracket Width	3" or 4"	3" or 4"	3" or 4"	4"	N/A	No
Dual Configuration	Yes	Yes	Yes	Yes	No	No
3" Fascia	Yes	Yes	Yes	No	No	No
4" Fascia	Yes	Yes	Yes	Yes	No	No
Top Back Cover	Yes	Yes	Yes	Yes	No	No
2.5" Side Channel	Yes	Yes	Yes	Yes	Yes	Yes
1.5" Side Channel	Yes	Yes	Yes	Yes	Yes	Yes
Operator	Chain or Motor					Motor
Sill Angle	Yes	Yes	Yes	Yes	Yes	Yes
Exterior Hem Bar	Rectangle with Brush Channel					